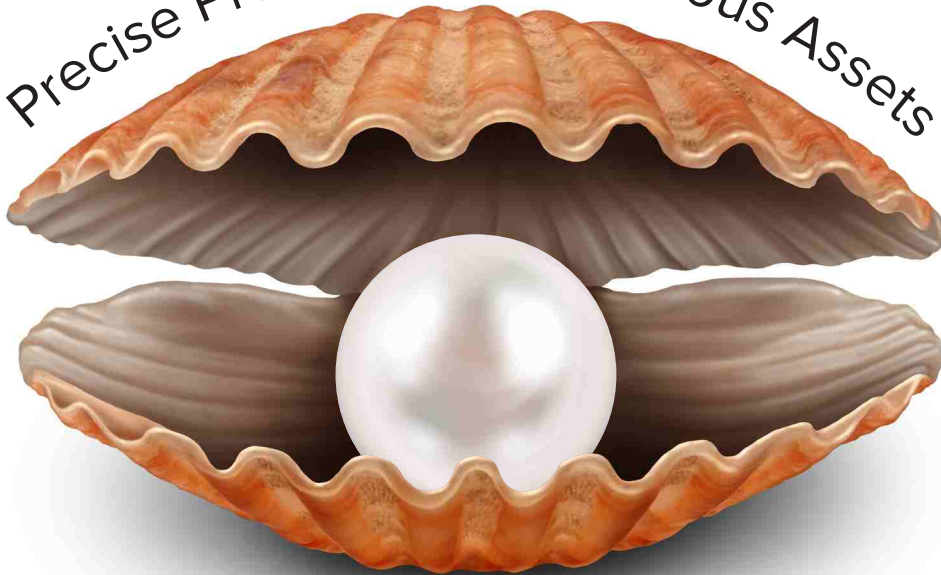


Precise Protection for Precious Assets



Expertise is our Mantra



Elegance Demands Expertise



INTRODUCTION

We bring to you able team which has achieved expertise in developing & erecting self supported roofing. Our team has achieved the expertise though a rich experience of more than 10 years in developing various projects. Location of site is no barrier as our team has developed various projects across India.

The engineering marvel has helped us to provide better longevity & hassle free structures. Our expertise helps our clients not only to make the project cost effective but delivers the project within stipulated time period.

OUR USPs

Durability:

To withstand all seasons round the year helps to achieve longevity of the structure



Safety:

Simplified engineering marvel provides better safety



Quality:

Stringent specified material procurement ensures quality



Cost Effective :

Expertise helps to achieve cost effectiveness



Punctuality:

On time delivery



FEATURES/ADVANTAGES

Self Supported Roofing System

This innovation is an American expertise proven & applied since last 35 years. The benefits of the system are so attractive that these are now present in over 60 countries.

This technology utilize fabricated Self Supported Roofing sheets comprises of profiled sheets that are fixed to the supporting structure without any intermediate support, purlins or trusses thus giving an unobstructed clear span.

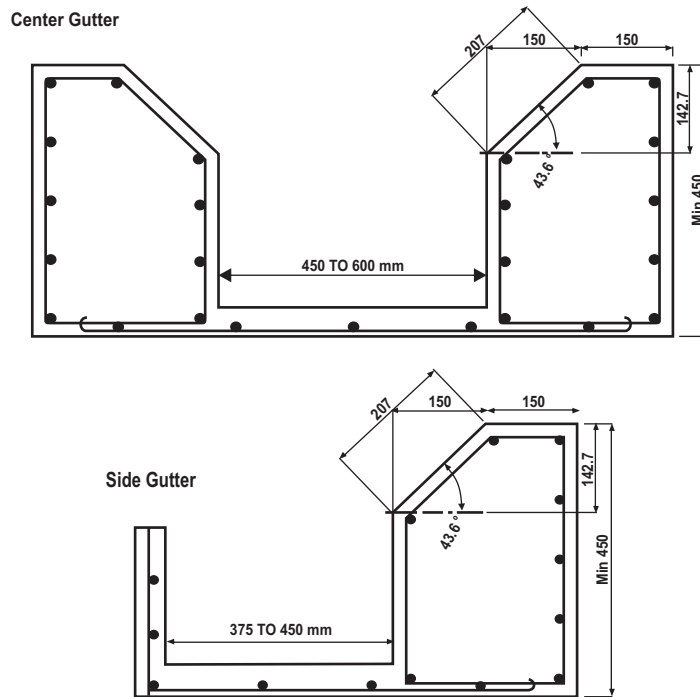
Salient features/advantages

- Unobstructed clear spans structure without trusses, purlins or ancillary support
- Provides higher flexibility in space utilization
- Larger enclosed volumes & free movement
- Mechanical sealing helps to ensure zero maintenance and also resistance to extreme weather conditions.
- 100% leak-proof roofs.
- On-site panel forming ensures an incredible installation speed, flexibility and enhanced efficiency
- No bird nuisance as there are no space between trusses / purlins and sheet.



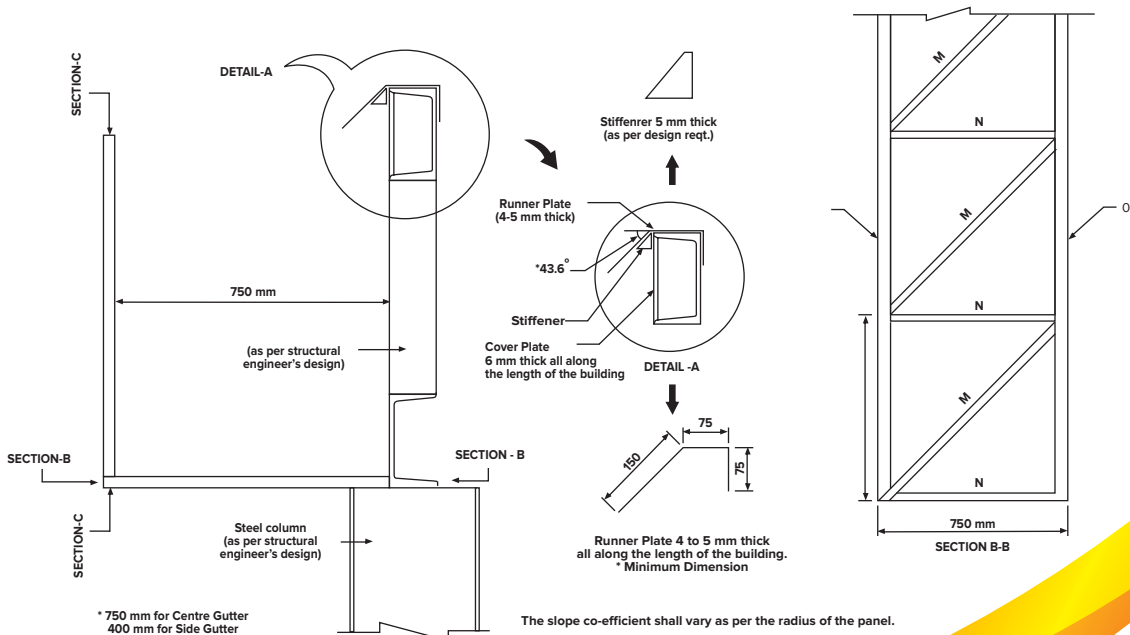
TECHNICAL ESSENTIALS

Recommended Design for RCC Gutter



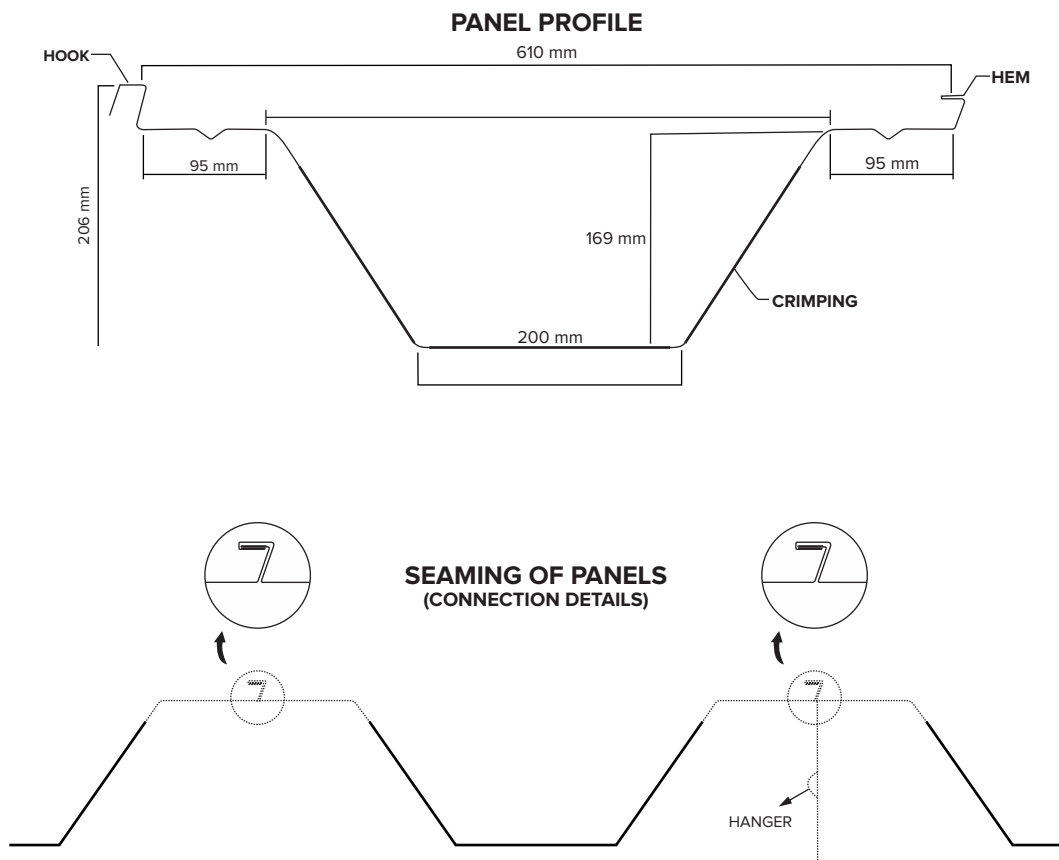
The slope co-efficient shall vary as per the radius of the panel.

Recommended Design For MS Gutter



TECHNICAL ESSENTIALS

Panel Profile Section



Material Specification

Material : Aluminium - Zinc Alloy sheets - (Galvalume base - An Alloy of 55% Aluminium & 43% Zinc)

Grade : ASTM A792 Grade D (Yield Strength : 300-350 MPA)

Thickness : 0.7-1.6 mm BMT (Base Metal Thickness)

Colour Coating : RMP, PVDF, SDP, SMP & HDP coatings

Coating Grade : AZ150

ACCESSORIES

Turbo - Ventilators



Skylights



Hangers



False ceilings



INSTALLATION PROCESS

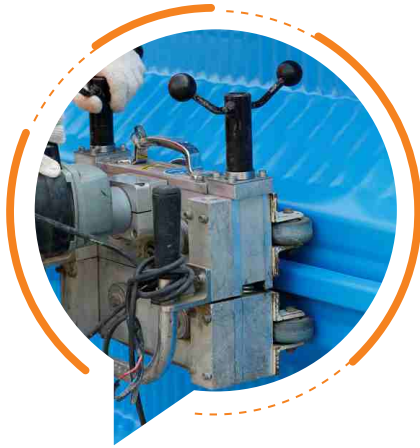
Coil Loading



Panel Fabrication



Panel Seaming



Crane Setup & Installation





EXPERTISE IN

Warehouses, Auditoriums, Automobile Industries, Bus Station, Aircraft Hangers, Clean Rooms, Cold Storage, Defense Setups, Restaurants, Agricultural Warehouses, Sports Stadiums, Educational Institutions, Engineering Industries, Showrooms, Recreation Parks, Shopping Malls, Swimming Pools, Textile Industries.

FEW OF OUR PROJECTS



For further information please contact



Expertise is our Mantra

Ambegaon Khurd, Behind Café Coffee Day, Mumbai-Banglore Highway,
Tal. Haveli, Pune - 411046.

☎ +91 9552944040 / 9921644301

✉ shinde5555sagar@gmail.com 🌐 www.sairajroofing.com